



Most at-risk populations: Who are they? Estimations & projections

On behalf of the Ministry of Health – AIDS/STD Division
& the World Health Organization

Findings from the National Consensus Workshop 2009

National Consensus Workshop

- 26 – 29 May 2009
- MOH & WHO Malaysia
- Stakeholders and owners of data
 - MOH AIDS/STD, State HIV officers, NGOs, relevant institutions, academics.
- Estimation & projection of the epidemic
 - Consultant: Dr Wiwat Peerapatanapokin
 - EPP & Spectrum software
 - Training workshop in Bangkok
- Documentation and reporting of workshop proceedings



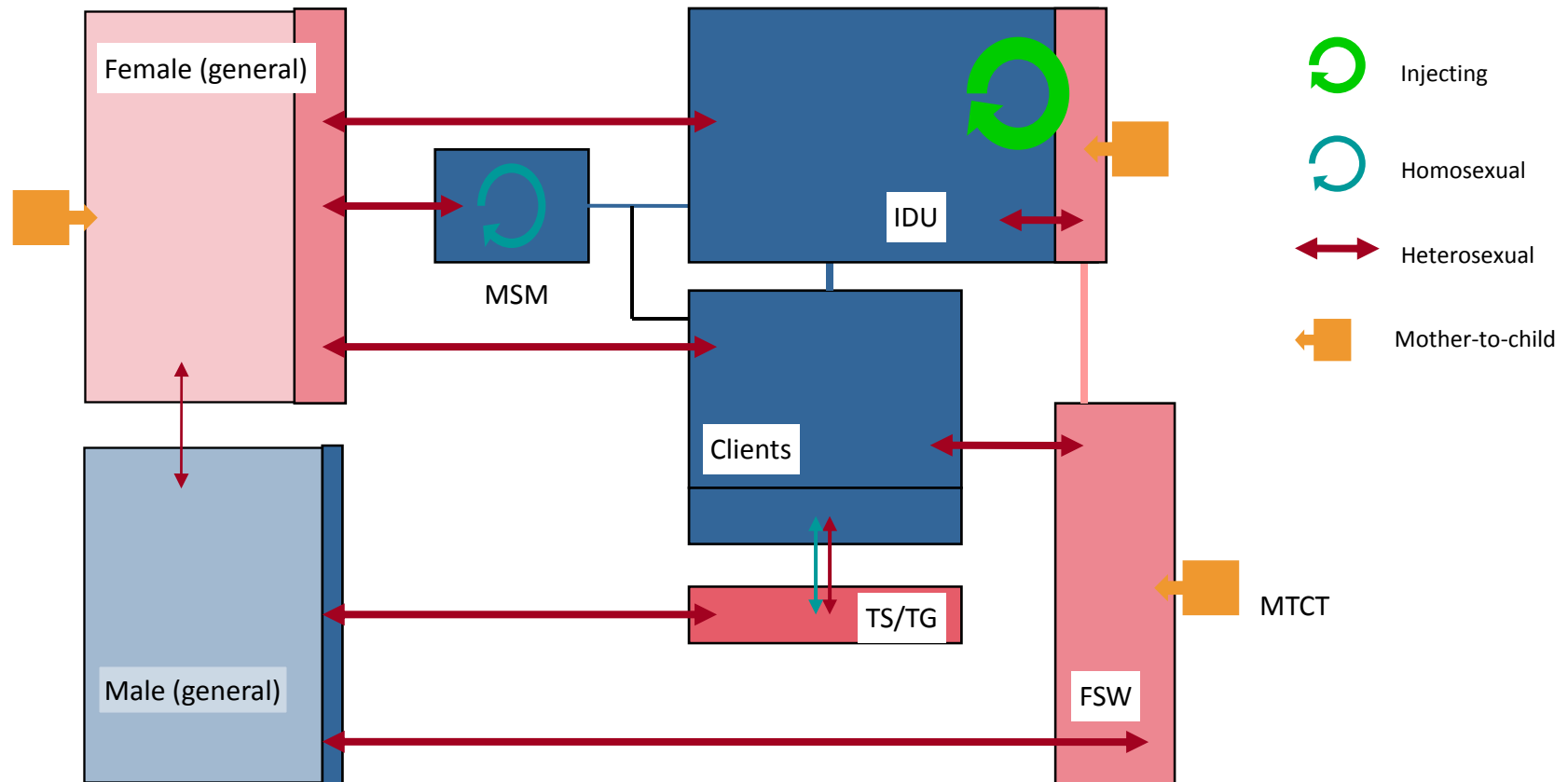
**The challenge in
assessing the true magnitude
of the HIV epidemic:**

**the hidden nature
of the epidemic**

- Hospital notifications
 - Institutional surveillance
 - ante-natal care centres
 - drug rehab centres
 - prisons
 - pre-employment
 - pre-marital
 - Population surveillance
 - research
 - intervention programmes
 - Voluntary counselling & testing
- 
- An iceberg floating in a blue ocean under a blue sky with white clouds. The tip of the iceberg is above the water surface, while the much larger base is submerged. A vertical arrow on the left points upwards from the water level to the tip of the iceberg. A vertical arrow on the right points downwards from the water level into the submerged part of the iceberg.

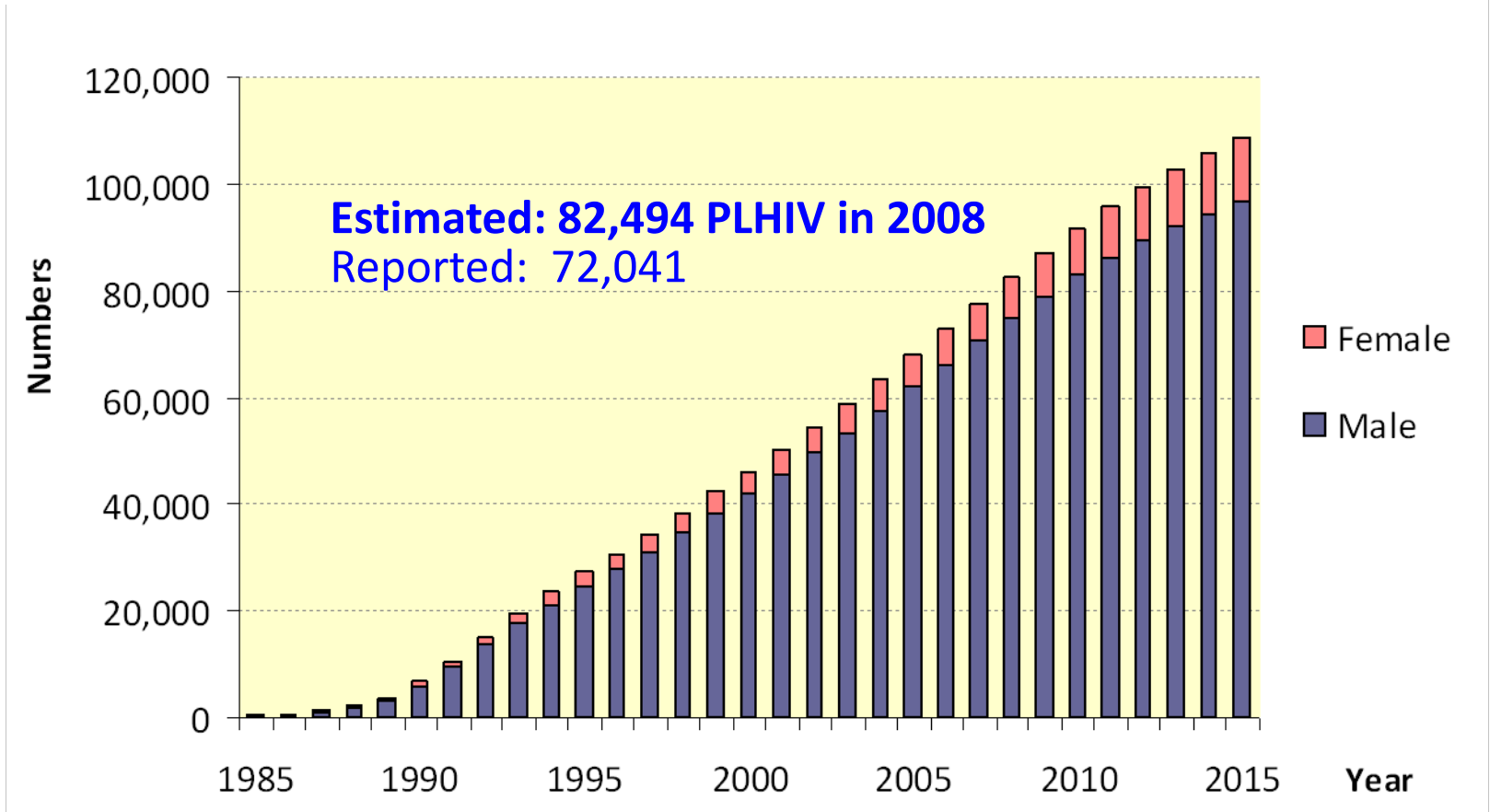
- Initially no clinical symptoms
 - long duration
- Stigma
 - HIV-positive
 - testing for HIV
 - marginalised populations
- Discrimination
 - employment
 - social
 - legal implications
- Access to healthcare services
- Poor awareness & knowledge

HIV transmission dynamics



Estimated PLHIV

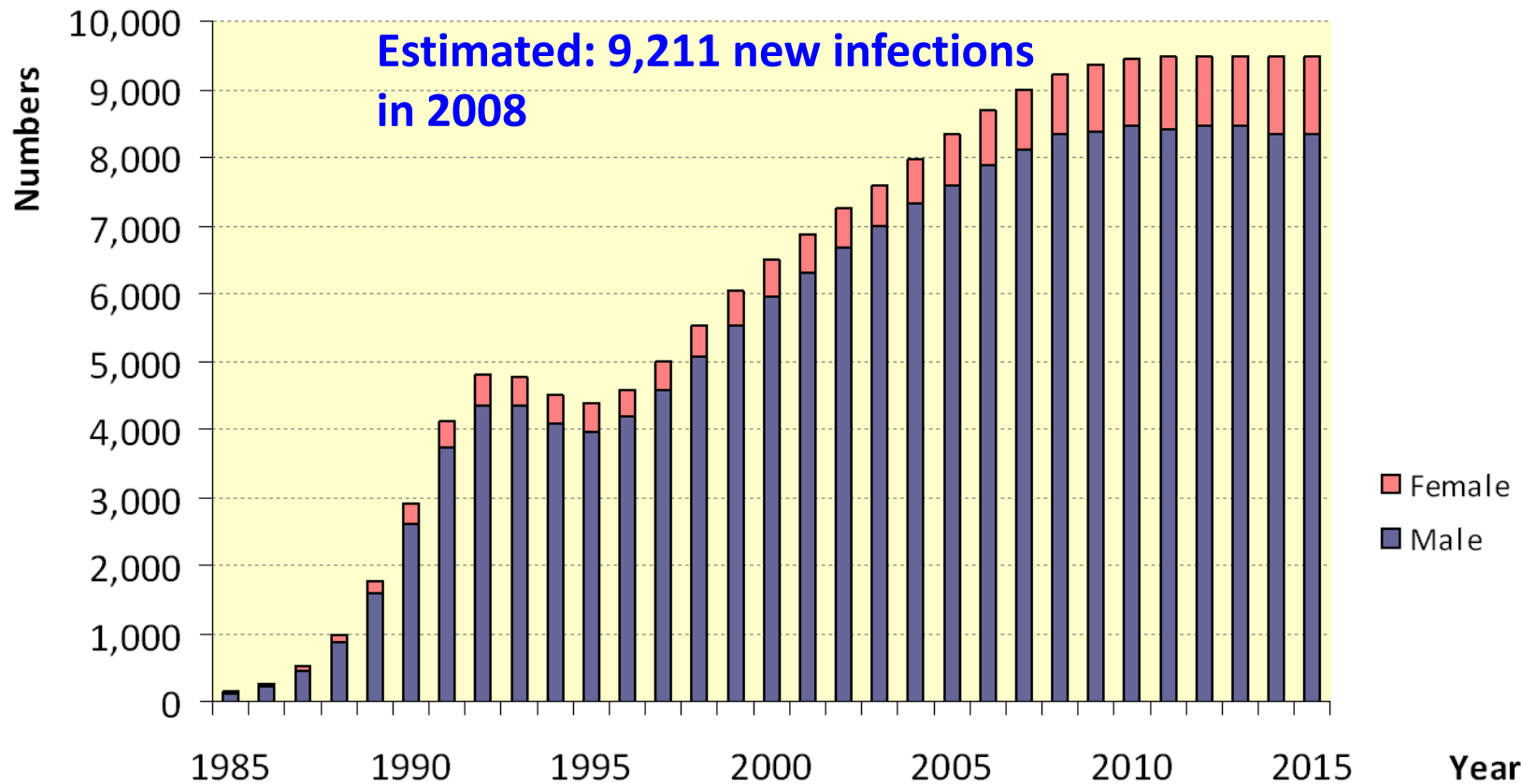
Estimated number of people living with HIV, Malaysia 1985 – 2015.



Source: MOH & WHO, 2009

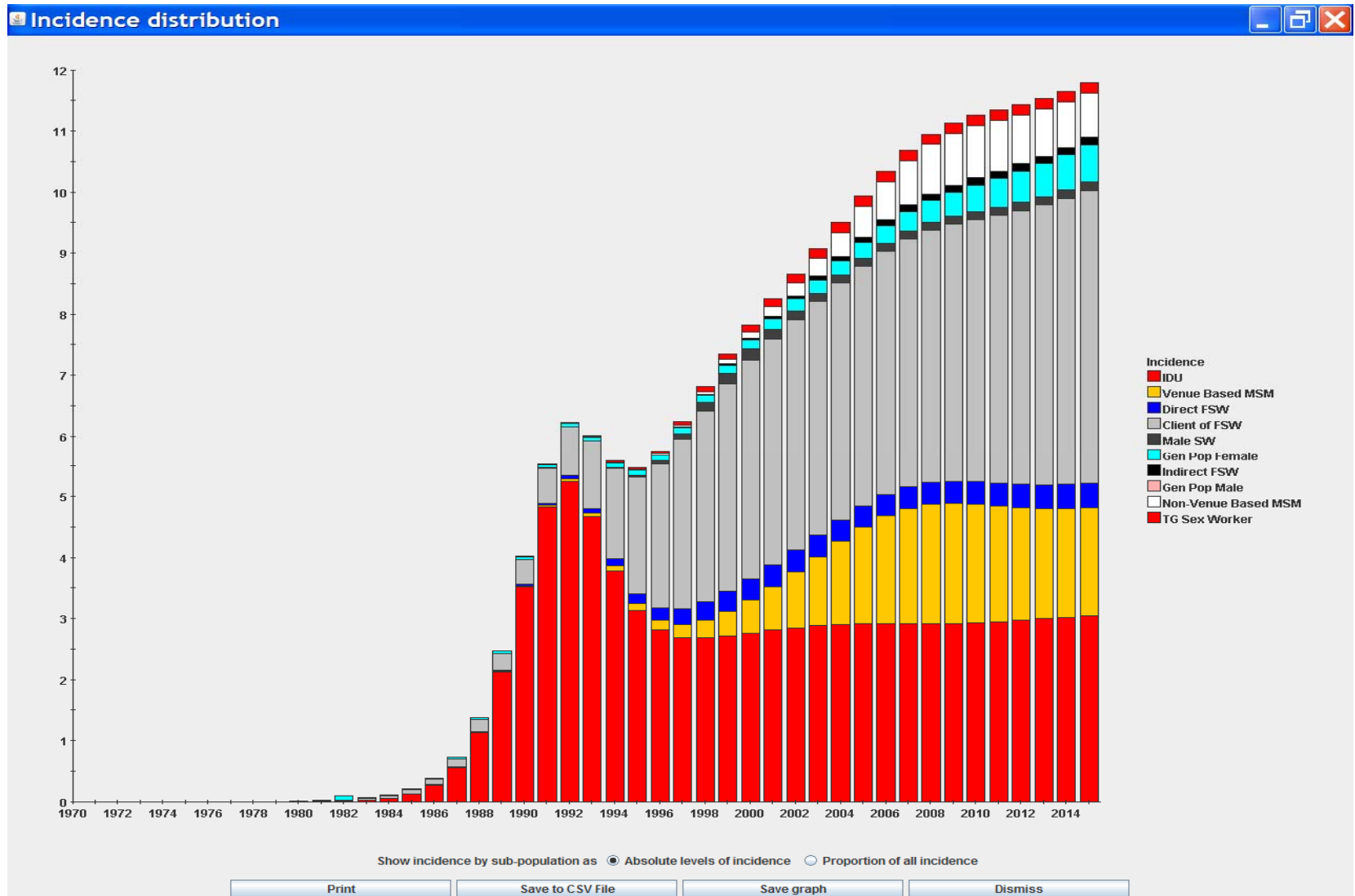
Estimated new infections

Estimated number of new HIV infections, Malaysia 1985 – 2015.

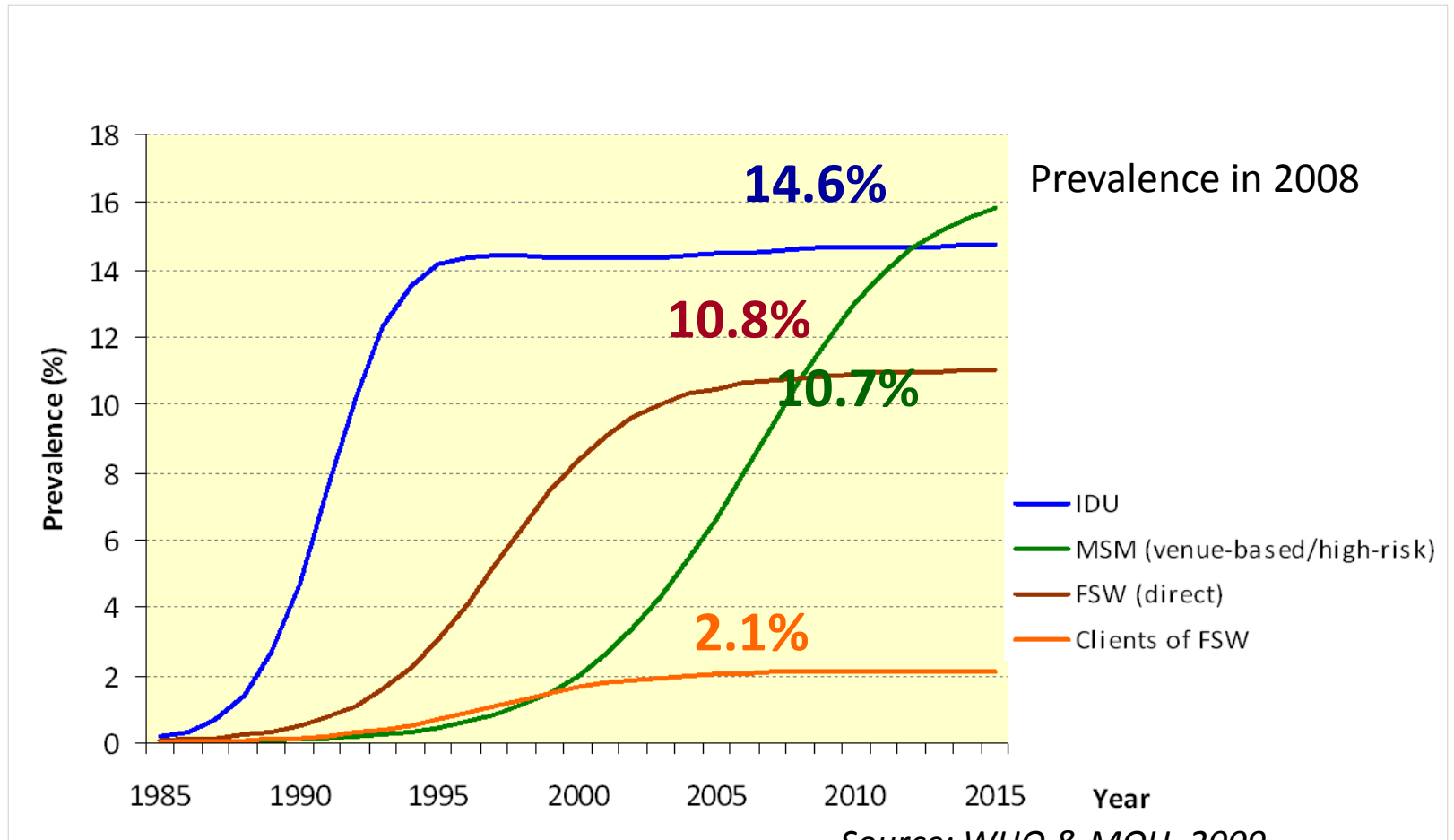


Source: WHO & MOH, 2009

Distribution of new infections, by risk factor



Estimated prevalence, among risk groups



Source: WHO & MOH, 2009

People who inject drugs

- Estimates for 2008
 - Population size: 170,000 (90% males)
 - New infections: 3,000
 - Living with HIV: 24,600
 - HIV prevalence: 14.6%
- Screening and detection
 - Drug rehabilitation centres and prisons
- Harm reduction measures

Female sex workers

- In 2008
 - Population size: 50,000
(40% direct, 60% indirect)
 - Living with HIV: 2,200
 - HIV prevalence (direct): 10.8%
- Data
 - Population size estimation
 - Coverage of intervention
 - Average number of clients

Clients of FSWs

- In 2008
 - Population size: 845,000
(9% of adult males)
 - New infections: 4,500
 - Living with HIV: 17,300
 - HIV prevalence: 2.1%
- Harder to define/target

Men who have sex with men

- In 2008
 - Population size: 173,000 (50% venue-based)
 - New infections: 2,500
 - Living with HIV: 12,000
 - HIV prevalence (venue-based): 10.7%
- Uncertainty in the estimates
 - Data
 - Risk behaviour
 - HIV prevalence
 - Trend consistent with regional information, actual magnitude still uncertain.

Transsexual/transgender

- Estimates in 2008:
 - Population size: 5,000
 - Living with HIV: 900
 - HIV prevalence: 18.3%
- Uncertainty in the estimates
 - Data
 - Population size
 - Risk behaviour
 - HIV prevalence

Intimate partners of MARPs

- Women
 - Wife/partners of men who are IDUs/clients of FSW/MSM
- Increase in the number of clients infected
 - Subsequent increase in the number of women vulnerable to infection
- Awareness and knowledge
 - Important prevention messages
- Social, welfare, education and gender issues

Women and children

- From estimates:
 - Ratio Female – Male : almost 1 : 10
- Among reported cases in 2008:
 - 1 : 4 reported HIV
 - 1 : 5 reported AIDS
 - Good detection rate through ante-natal care services
- Cumulative reported cases among women
 - Reported: 7,538 by 2008
 - Estimated cumulative: 11,001 (68.5% detection)
- Estimated children age 0 – 14 living with HIV:
 - 502 in 2008
 - Consistent with 100% coverage of ARV to children with HIV

Vulnerable sub-populations

- Youth
- Migrants, refugees and internally displaced
- Occupational groups
- And others

Note: in the methods of estimation & projection, men/women from various sub-populations would have been incorporated in the calculations based on their risk profiles

- injecting drug use, clients of sex workers, FSW, MSM intimate partners of MARPs, etc.
- not exclusively identified

Targeted and prioritised response

- PLHIV
 - Treatment
 - Care
 - Early detection
- Most at-risk populations
 - Direct intervention
 - Prevention
 - Chain of impact
- Vulnerable groups
 - Surveys and assessment of current scenario
- General population
 - Awareness and knowledge
 - Preventive measures
 - Beyond health: social, welfare and education, etc